

Opinion of participant

Presented by junior in shibaura
USUDA, Yuji

Contents

- Motive of participation
- What we have done
- How to spend in Thai
- Impression of this gPBL
- How to make the most of this experience

Motivate of participation

1. I wanted to try my English skill.
2. I wanted to improve my view of making electronic devices.
3. I wanted to touch some different cultures.

What we have done

We have done this gPBL with Japanese company. And, we have tried to improve some systems made by the company.

Subject : Train

1. Identification of coins and calculation total coins.
2. The development of identification sensor

We divided into 2 groups each project.

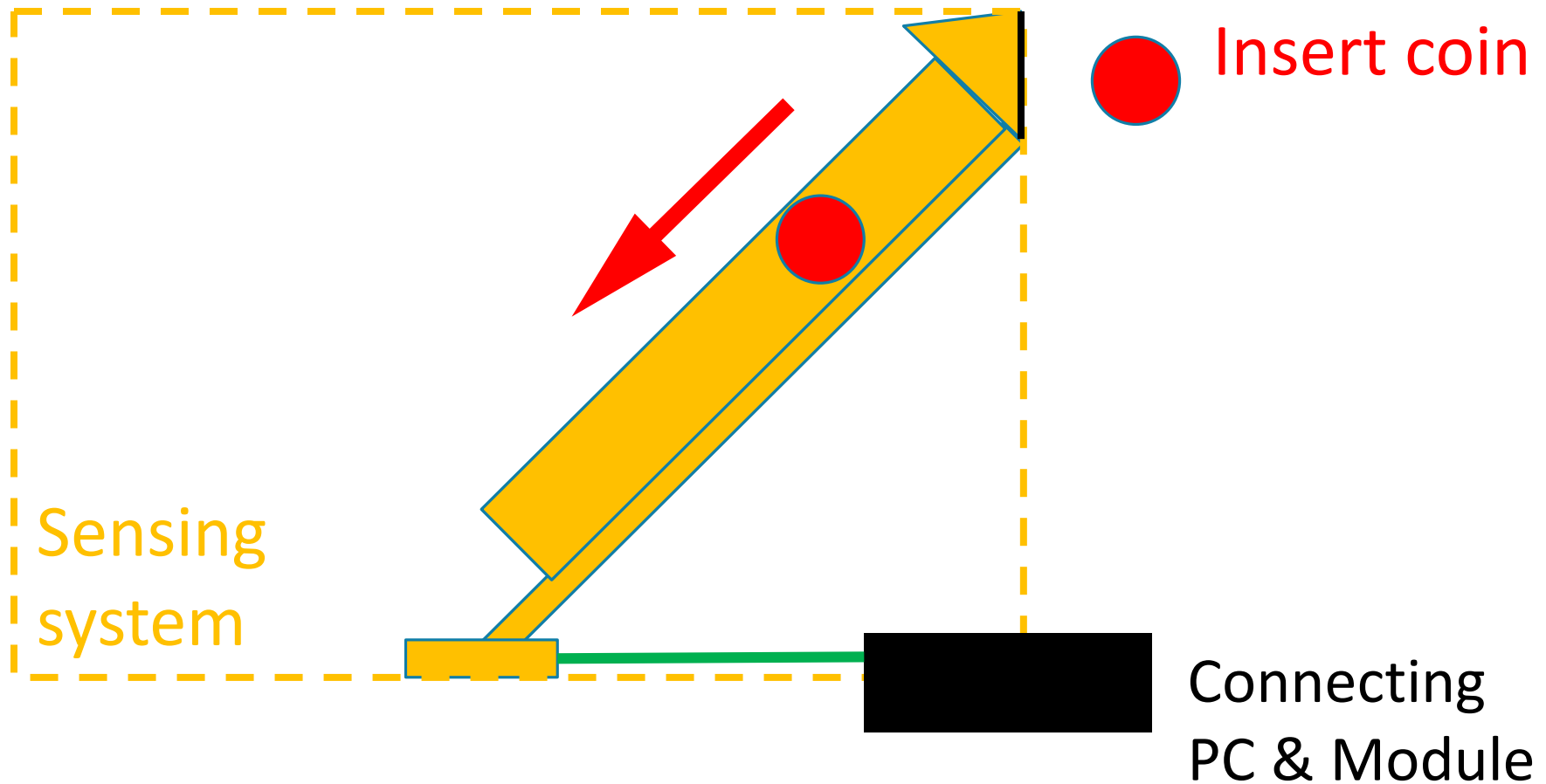
Identification of coins and calculation total coins



出典

http://www.tacy.co.jp/products/kotsu/vender/images/lcv_ph02.jpg

Identification of coins and calculation total coins



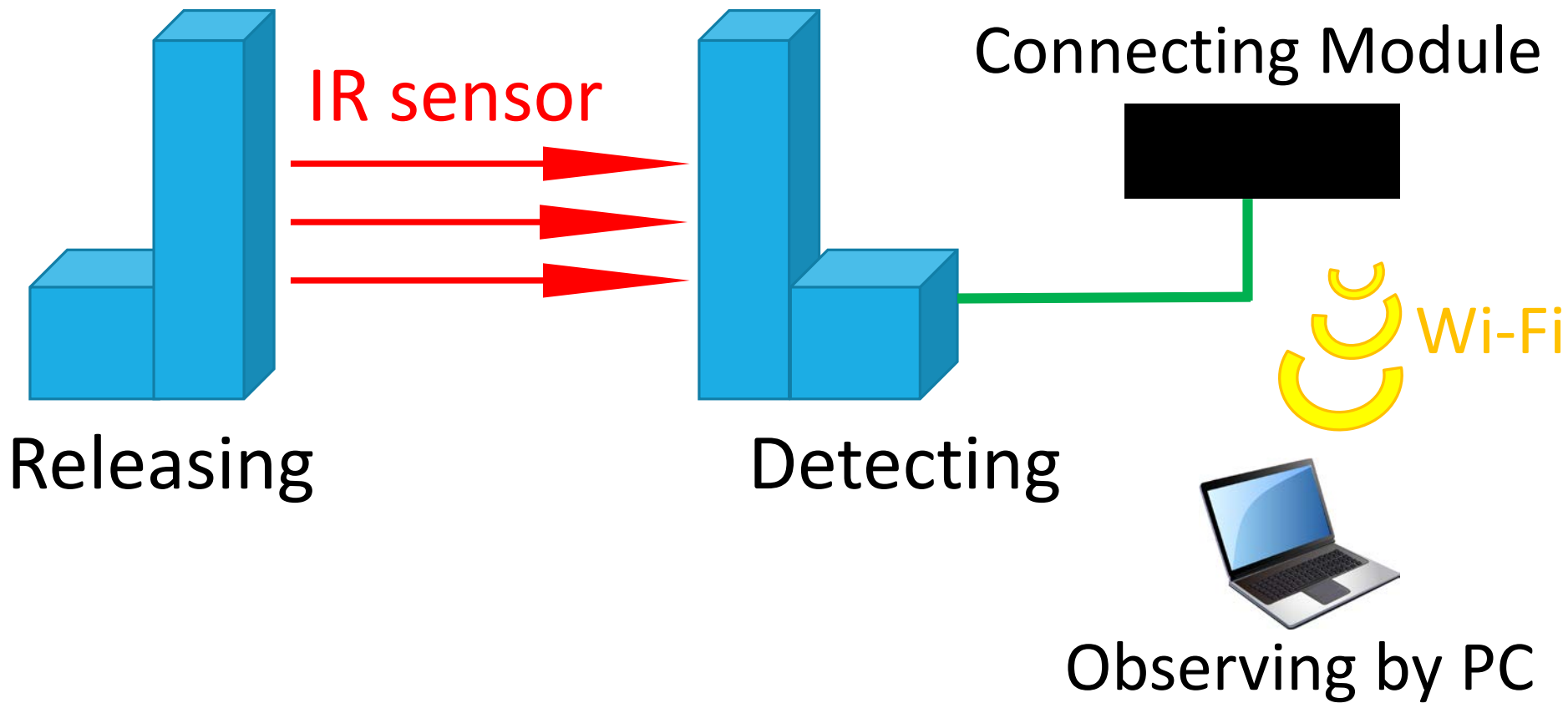
The development of identification sensor



出典

<http://building-pc.cocolog-nifty.com/helicopter/images/2015/09/20/tokyohaijima150914>

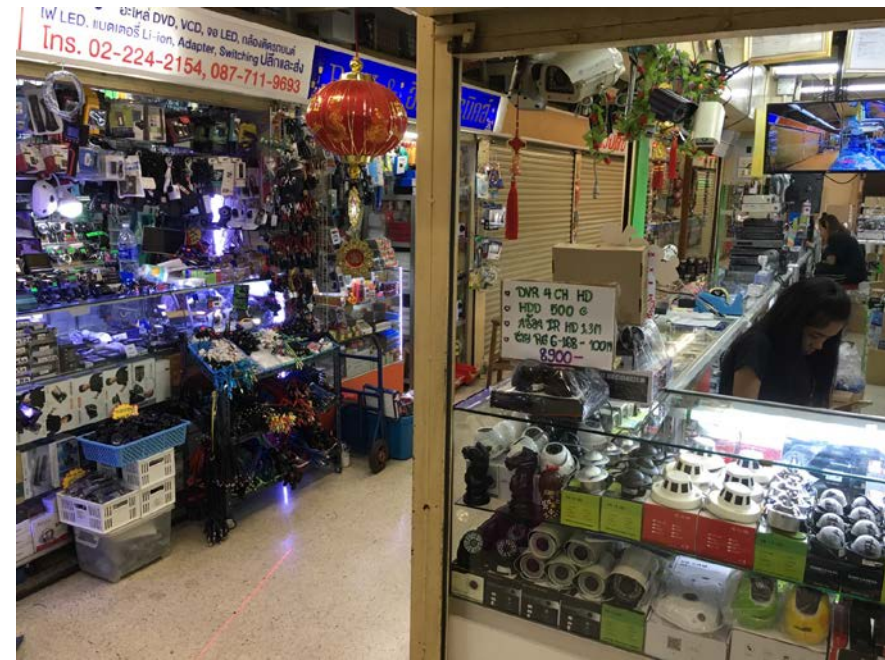
The development of identification sensor



How to spend in Thai



Doing this program



Purchasing devices

How to spend in Thai



Field work

Impression of this gPBL

- Enthusiasm of Thai is different from Japanese one.
- I can touch different cultures.
- Speaking English is amazing!!

How to make the most of this experience

- I want to work globally.
- I want to be a good engineer.

THANK YOU FOR LISTENING